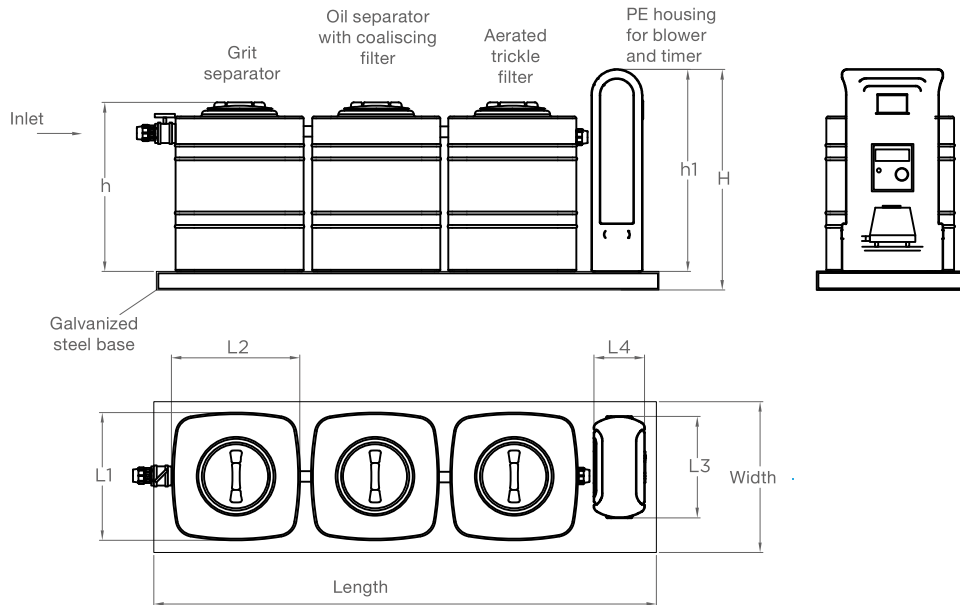
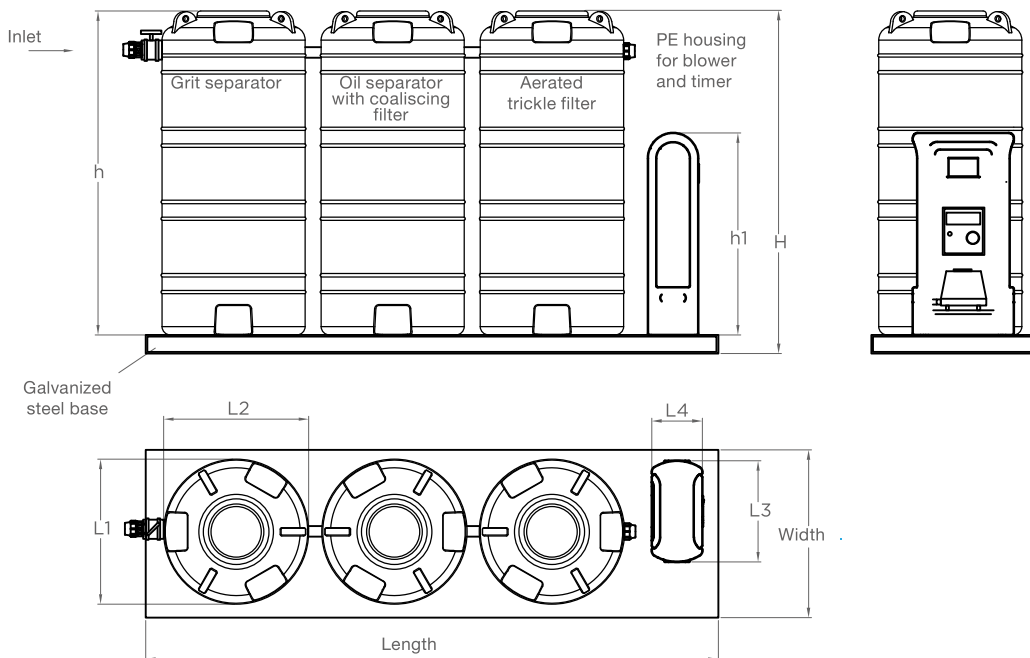


EXTERNAL TREATMENT SYSTEMS FOR CAR WASHES



Item	Cars/day n°	Over all dimensions length x width x H mm	Grit separator/Oil separator/filter L1 x L2 x h mm	PE housing L3 x L4 x h1 mm	ØI - ØO mm	Total volume l	Blower W
DEPAUTOEST10	0-10	3400 x 1000 x 1300	760 x 760 x 980	300 x 600 x 1200	50-75	1350	31



Item	Cars/day n°	Over all dimensions length x width x H mm	Grit separator/Oil separator/filter L1 x L2 x h mm	PE housing L3 x L4 x h1 mm	ØI - ØO mm	Total volume l	Blower W
DEPAUTOEST20	11-20	3400 x 1000 x 2003	850 x 850 x 1930	300 x 600 x 1200	50-75	2700	31